

15"

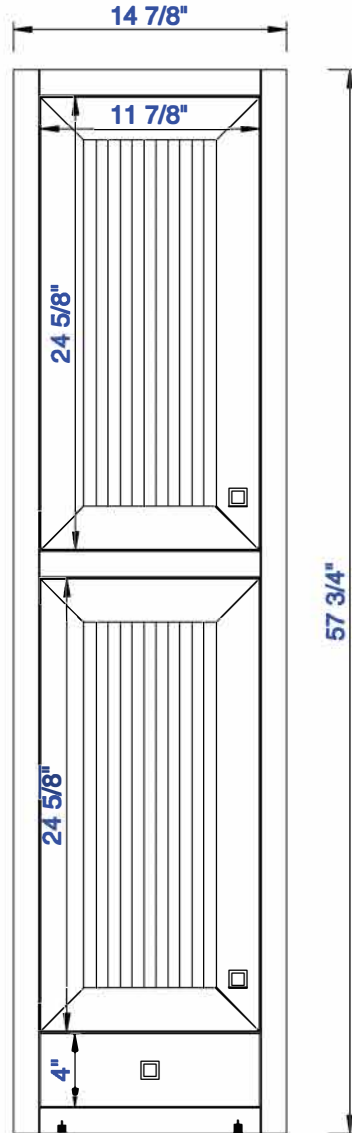
Item Number:
E645-H15L-MCA
E645-H15L-GW

JAMES MARTIN



VANITIES™

Athens 15" Tower Hutch - Left
Diagrams with Dimensions
page 01 of 03



15"

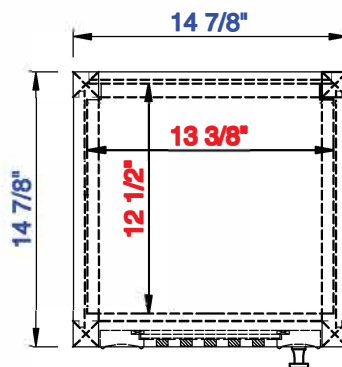
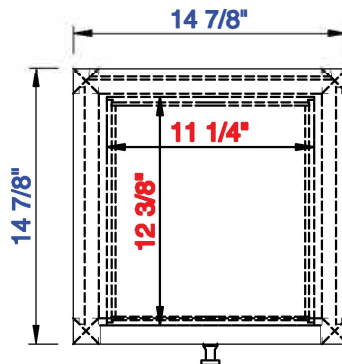
Item Number:
E645-H15L-MCA
E645-H15L-GW

JAMES MARTIN



VANITIES™

Athens 15" Tower Hutch - Left
Diagrams with Dimensions
page 02 of 03



15"

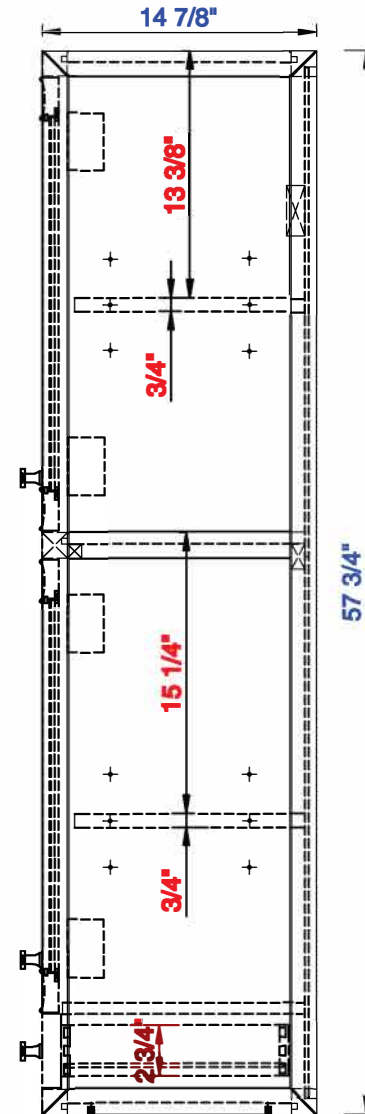
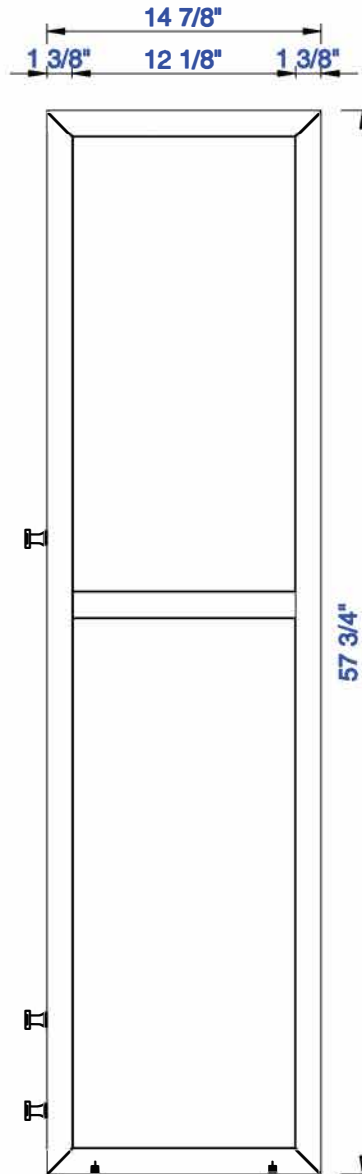
Item Number:
E645-H15L-MCA
E645-H15L-GW

JAMES MARTIN



VANITIES™

Athens 15" Tower Hutch - Left
Diagrams with Dimensions
page 03 of 03



381mm

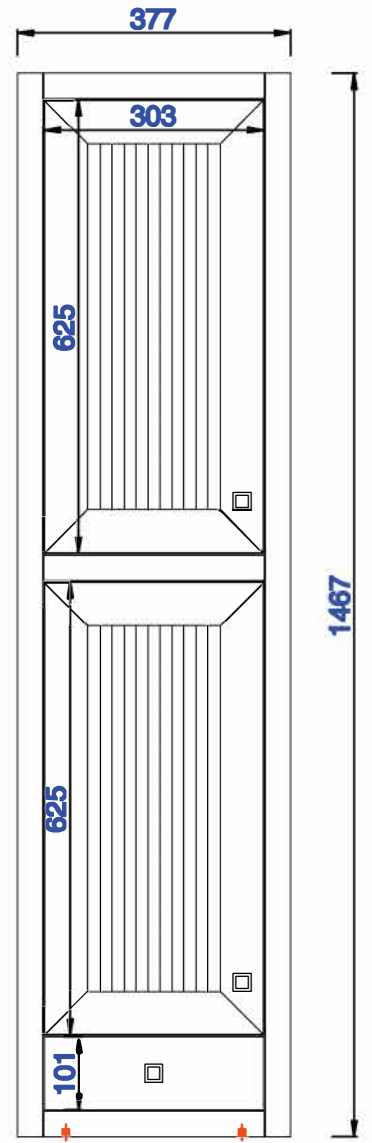
Item Number:
E645-H15L-MCA
E645-H15L-GW

JAMES MARTIN



VANITIES™

Athens 381mm Tower Hutch - Left
Diagrams with Dimensions
page 01 of 03



381mm

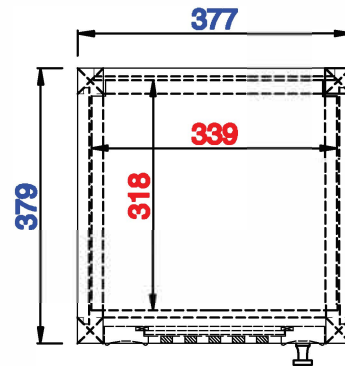
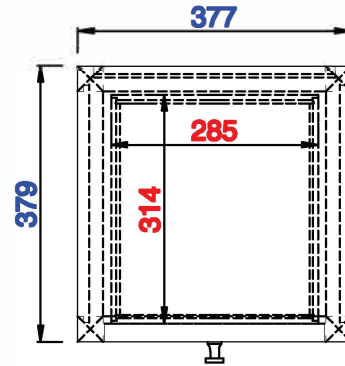
Item Number:
E645-H15L-MCA
E645-H15L-GW

JAMES MARTIN



VANITIES™

Athens 381mm Tower Hutch - Left
Diagrams with Dimensions
page 02 of 03



381mm

Item Number:
E645-H15L-MCA
E645-H15L-GW

JAMES MARTIN



VANITIES™

Athens 381mm Tower Hutch - Left
Diagrams with Dimensions
page 03 of 03

